



OPUS NamePress

EN User Guide

1 HEALTH & SAFETY PRECAUTIONS

- Before operating the equipment please read the Health & Safety precautions, manufacturer's recommendations and the operation manual.
- The operation manual should be easily available at any time for the operator.
- The equipment should be placed on a sturdy level surface near a 230 V 50/60 Hz AC correctly earth socket.
- Always make a test hot print stamp on the same material when stamping on very important documents.
- The equipment:
 - Should be protected against dust and moisture.
 - Must not be placed near a heating or ventilation unit.
 - Must not be used in the vicinity of inflammable liquids or gases.
 - The power supply cable must be protected against damage.
 - Must not be used to pull or move the equipment or to remove the plug from the socket.
 - Should be kept away and out of the reach of children and animals. Burn Hazard.
 - Must not be used for any other purposes, than those indicated in the instruction manual.
 - Should not be operated in a room temperatures lower than +8 °C
- During long standstills or moving the equipment and to ensure that it is turned off completely, remove the plug from the mains socket.
- The supply voltage should be consistent with the parameters specified on the technical plate located on the equipment housing and the manual.
- The equipment must not be located outside.

DANGER!

- The equipment contains electrically heated elements.
- Do not touch the heater – Burn Hazard.
- It is necessary to check and supervise, if the equipment is operated and used correctly, if there should be a malfunction, then contact the dealer or service team.
- Before removing any covers from the equipment, remove the power plug from the mains socket. Failure to do so could cause an electric shock and fire.
- Using inappropriate lubricants such as petroleum based cleaning materials, can cause a fire hazard.
- Only authorized and qualified staff may carry out any repairs during the Guarantee / Warranty period.
- The equipment must be operated in accordance with the general Health & Safety rules.
- Do not leave the equipment operating without an operator.
- After use turn the equipment off by the switch on the unit, next remove the plug from the socket if not used regular.
- After taking the typeface fonts off the heater wait for 10–15 minutes before replacing them to make sure all elements are cool – Burn Hazard.
- The device should not be operated over 2000 meters above the sea level.

2 SYMBOLS

HEALTH & SAFETY		CAUTION! Hot surface		Ground / Earth
-----------------	---	----------------------	---	----------------

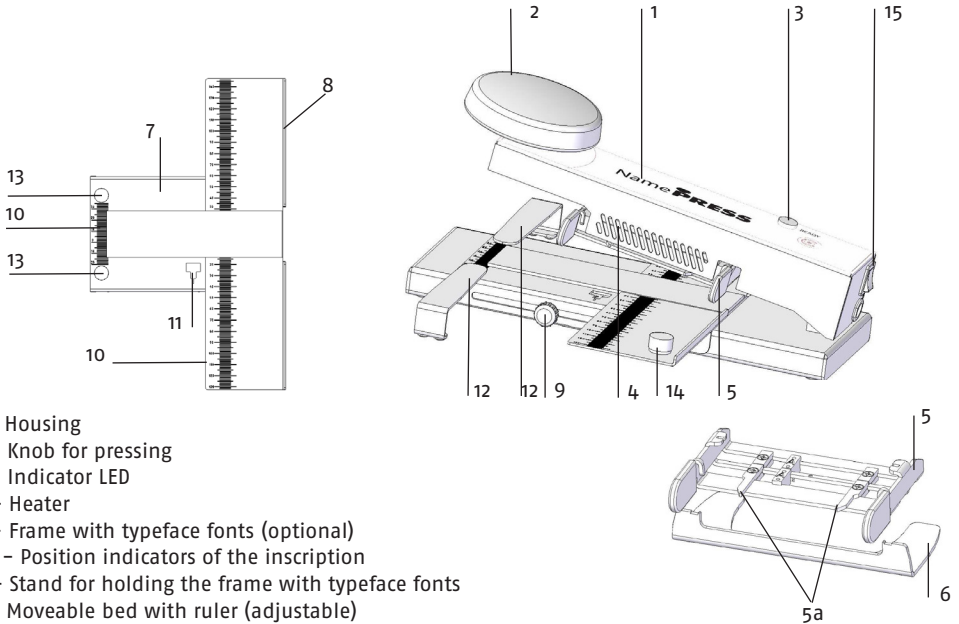
3 GENERAL INFORMATION

- NamePRESS is designed for high density card covers.
- We recommend using the covers from the METALBIND system offered by OPUS.
- NamePRESS is for home or office use and needs a mains electric supply.

4 TRANSPORT AND STORAGE

- The equipment and packaging should not be exposed to damp conditions, e.g. rain.
- If exposed to damp or flood, the equipment must be sent or delivered to a servicing point to carry out an inspection in order to avoid a risk of electric shock or fire.
- Although the package protects the equipment, it should be handled with care.

5 DESCRIPTION



- 1 - Housing
- 2 - Knob for pressing
- 3 - Indicator LED
- 4 - Heater
- 5 - Frame with typeface fonts (optional)
- 5a - Position indicators of the inscription
- 6 - Stand for holding the frame with typeface fonts
- 7 - Moveable bed with ruler (adjustable)
- 8 - Vertical stops
- 9 - Thumb screw to lock the Moveable bed in place
- 10 - Vertical scale on the moveable frame table able
- 11 - Window showing position on horizontal base scale
- 12 - Magnetic stabilizing brackets
- 13 - Fitting locations for magnetic stabilizing brackets
- 14 - Magnetic stop
- 15 - Power switch

6 INSTALLATION

- The equipment does not need assembling or disassembling of transportation.
- It is recommended to store the packaging for repeated transportation.
- NamePress is designed for home office or office conditions
- Place the equipment on a sturdy stable flat surface.

- Rubber feet protect the surface against being scratched or damaged.
- If the equipment is exposed to minus Celsius temperatures for long periods you should leave in a room with normal temperatures for about 1 hour to allow condensation which may have built up to evaporate.
- To ensure the operator's Health & Safety, the equipment must be supplied electricity with the original cord.
- The mains socket should be earthed according to the regulations.
- The supply voltage must be consistent with the parameters specified on the technical plate on the equipment housing.
- Not observing the above rule may result in electric shock or fire and cancelling the Warranty/ Guarantee.

Preparation to work:

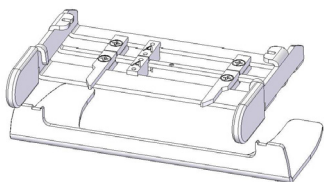
1. Mount the moveable bed with rulers (7) to the base plate by the thumb locking screw (9) loosely, slide into the correct position and tighten.
2. Fit the magnetic stabilizing brackets (12) in the designated places (13)
3. Plug in the mains cable to the socket.
4. Switch the power on, the switch is located next to the power cable (15).
5. Wait until the LED light (3) comes on.
6. Your NamePRESS is ready to start work.

Note!

In case of continuous work the signal light (3) after some period of time turns off and then turns on again. This does not influence the work of the equipment. Only after putting a frame with new (cold) fonts into the slot, we recommend to wait until the light (3) turns on (to make sure that the fonts are sufficiently hot).

7 PREPARATION TO HOT PRINT STAMP

1. Take the frame of the heater and put it on the stand (6). This way you can comfortably put new typeface fonts in and out of the frame.



Note!

If the frame or typeface fonts were previously used or the heater or just removed, wait 10 to 15 minutes until they cool down. Because of that situation we recommend that you several sets of typeface fonts, frames and Stands.

2. Compose the required text and put the typeface fonts into the frame.

Note!

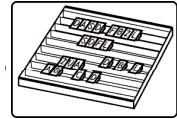
The typeface fonts should be put in and taken out by the tweezers supplied. The holes in the back of the typeface fonts are for the ends of the tweezers to lift them up. For 4mm typeface fonts grip them from the side.

The holes enable you to see which is the top and the bottom of a typeface font. The bottom hole is larger or is closer to the edge (4 mm typeface fonts, because of their small size, have only one hole, at the bottom).

3. Center the typeface fonts in the frame and lock them in by tightening the end stops (using the screw driver supplied).

Note!

Make sure the typeface fonts are firmly tightened as much as possible. To use, keep in order and store the typeface fonts and make it easier use and find the typeface and not to lose them, we recommend using the portable container (see the diagram opposite).



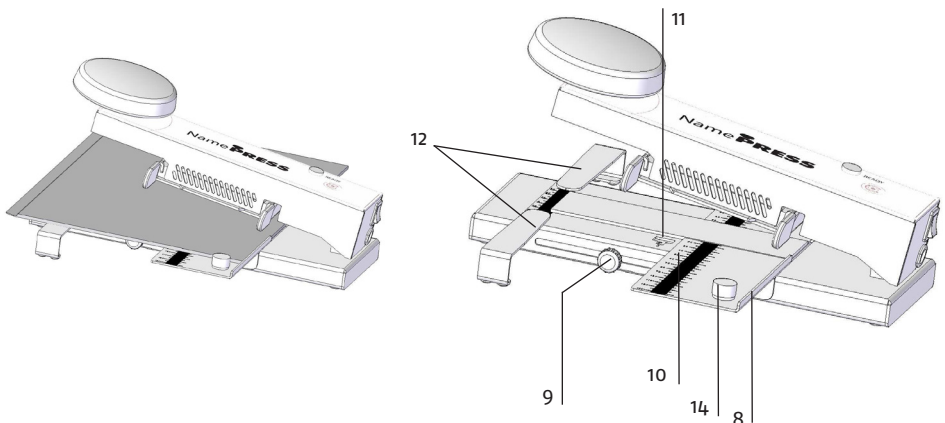
8 POSITIONING COVER

Put the frame on to the heater (4).

Note!

The frame can be inserted from both sides of the body (1).

Loosen the thumb screw (9) and move the bed to the left or right to the required distance. Set the hot print stamping position from the edge of the cover using the horizontal scale which can be read through the window (11). The scale indicates the centre of the typeface font frame from the edge of the cover. Now tighten the thumb screw (9). Place the cover on the movable bed which holds it in the right place for hot print stamping (7). Set the hot print stamping position from the bottom of the cover using the vertical scale (10) - the scale indicates the distance of the bottom edge of the typeface font to the bottom edge of the cover. Make sure the magnetic brackets (12) are in the right place so that they support the cover firmly. For smaller covers, you can use the movable magnetic stop (14). The typeface font frame has 2 pointers (5a see page 9) to show the position of the text when on the heater, they show the start and end of the text in the frame.



The maximum length of the text is 100 mm, one or two lines depending on the frame. The edge of the text can be placed at the side of the cover or a maximum of 50 mm from the side. With regard to the top and bottom there are no restrictions, you can embossing the entire height of the cover.

9 HOT STAMPING

1. Wait for about 3 minutes until the typeface fonts get hot and the LED light comes on(3).
2. Put a piece of foil in the place where you want to hot print stamp.
3. Press the knob (2) on to the cover/label firmly and keep it pressed for about 1–2 seconds.
4. Remove your hand and the body will rise (1), take the cover/label and remove the foil strip.

10 MAINTENANCE

The equipment needs no lubrication or servicing. The points to be lubricated have been sealed in the factory. The equipment housing is coated with powder coated. The equipment can be cleaned with domestic detergents. Do not use any solvent or petroleum based products.

11 TECHNICAL DATA

Power:.....	AC 230 V 50/60 Hz 0.5 A
Rated current:.....	100 W
Dimension:.....	H 135 x W 280 x D 280 mm
Net weight:.....	2.9 kg
Gross weight:	3.2 kg



Equipment and products marked with this symbol cannot be deposited together with normal or municipal waste. The user is required to take their used product to a collection point for recycling of waste electrical and electronic equipment. Proper segregation of used equipment reduces the negative impact of hazardous substances that may be in there, in to the environment which could impact, human and wild life health. For more detailed information concerning the disposal of used equipment, please contact your local authority, waste disposal service or the point of sale where you purchased the product. By ensuring proper disposal of equipment we are helping to protect the environment, humanity and wild life health.