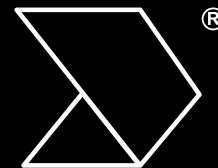


**all  
decor  
2d** by decal



**application manual**

# application manual

by decal

This application manual allows you to create new environments and generate new sensations in interior decoration (walls and furniture) in an easy way with decal's **alldcor 2d** textured films.

Each step is explained in detail so that you can give space to your imagination, using products that stand out for their **versatility, safety, resistance, ecology** and **easy cleaning**.

# **1 before you start**

## **Where to apply alldcor 2d**

Our films can be applied to smooth and flat surfaces. However, applications on lacquered furniture, as well as on surfaces regularly exposed to very high or low temperatures, are not recommended.

## necessary materials



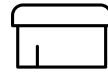
soft brush



cloths



measuring tape



felt squeegee



cutter



adhesive tape

In walls and furniture, do not forget to add:

**walls**

+



ladders



warm water

**furniture**

+



cleaning product  
(degreaser)

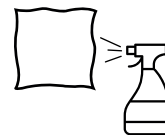
# surface preparation

The surface on which the product is to be applied must be completely clean and dry. It may be necessary to remove dust or residues. To do this you must use:

**walls** soft brush or cloth soaked in warm water



**furniture** soft brush and a cloth with degreasing product





# useful tips

## **cleaning the rolls**

We recommend cleaning the film rolls to ensure the removal of dust or other dirt that may have accumulated during transport or storage.

## **right measures**

In order to obtain a result “tailor-made” of the expectations, it is essential to measure the surface where the application will be made, as well as the film before being cut.

### **products with printing**

Personalized products should only be applied after the indicated drying time of the inks, which varies from 24h to 48h, depending on the printing technology used.

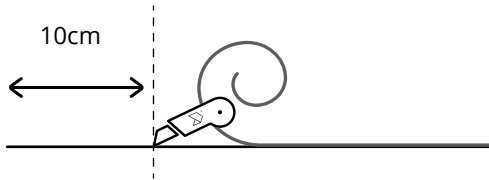
### **pre-test**

Perform a pre-test on a place of the furniture or wall with little visibility a few days before the application to know the adhesion of the film to the surface.

### **smooth surfaces**

Make sure that the surfaces are completely smooth. In the case of walls, you may find projections resulting from previous works or decorations, which must be eliminated.

# 2 how to apply walls

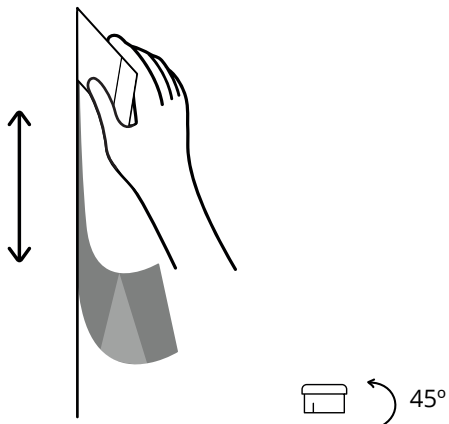


**1** remove and pull the liner about 10cm (3,9 inches)

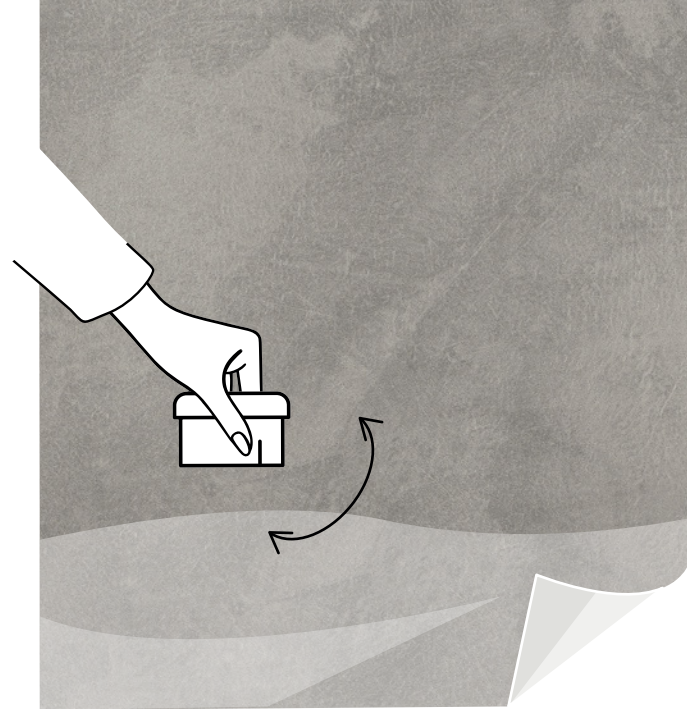


**2** place the first strip of film on the **top of the surface**





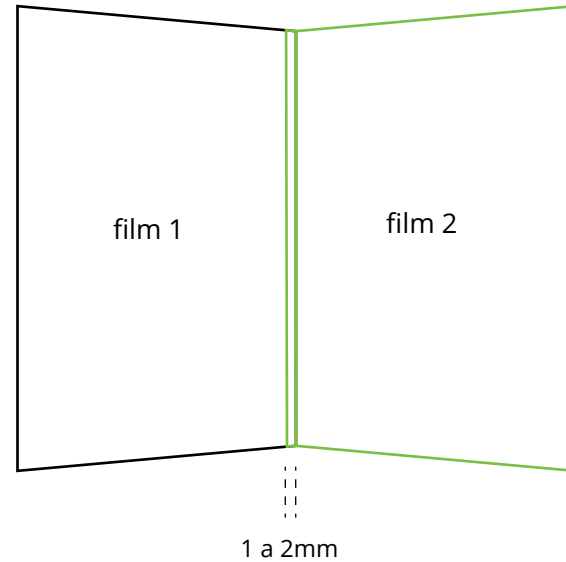
- 3** apply the film from top to bottom with a felt squeegee, forming an **angle of 45°** between both surfaces

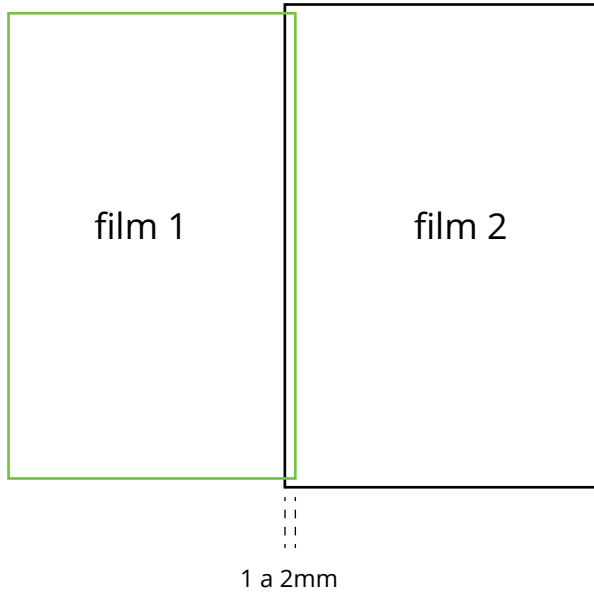


- 4** remove the liner in **strips from 50 to 70cm (19,7 to 27,6 inches)** and adhere it, in a **fan movement**, from the center to the tips

# Corner details

- 1** start by following the procedures indicated above
- 2** apply the film to the first wall with an **overlap of 1 to 2mm (0,04 to 0,08 inches)** on the adjacent wall



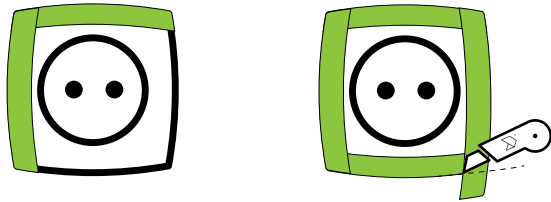


**3** place the **second film on the second wall**, continuing to the tip

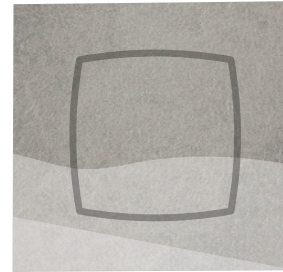
**3.1** on surfaces with different heights, join them by **applying the second film over the first with an overlap of about 1cm (0,4 inches)**

**4** **cut the second film** along the first one and remove the excess

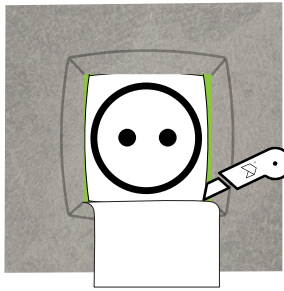
# wall outlets details



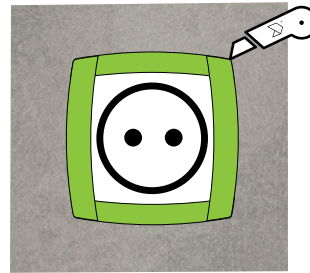
**1** put adhesive tape on the edges of the box



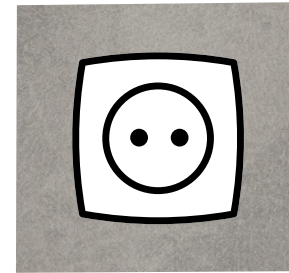
**2** apply the film over the box



- 3** **cut the film** so that it allows a 5mm (0,2 inches) overlap

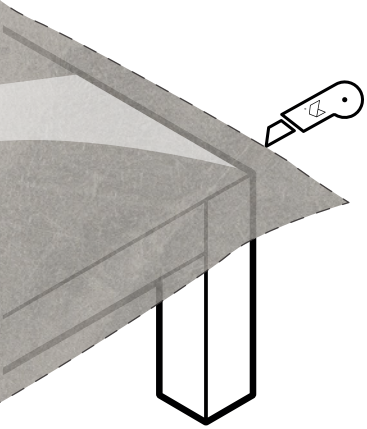


- 4** use the felt squeegee to guide the cutter when **cutting the film around the edges**

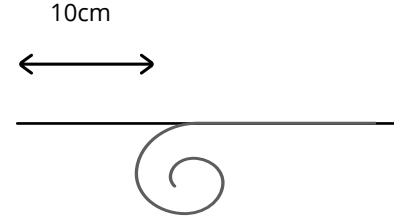


- 5** **remove** the excess

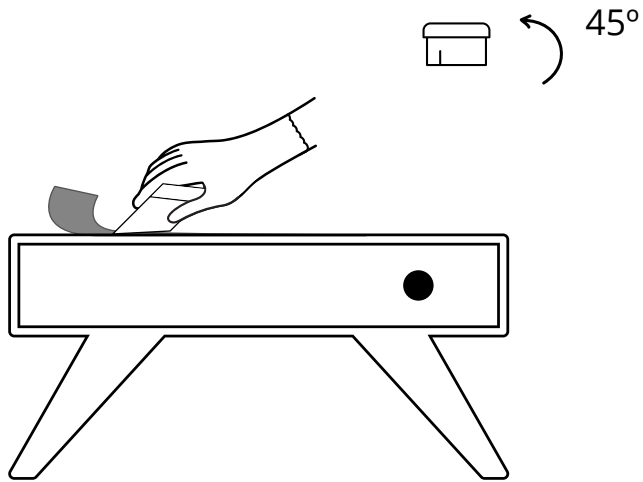
# furniture



- 1** cut the film with a larger **dimension** than the surface to cover the part that will be folded over the edge



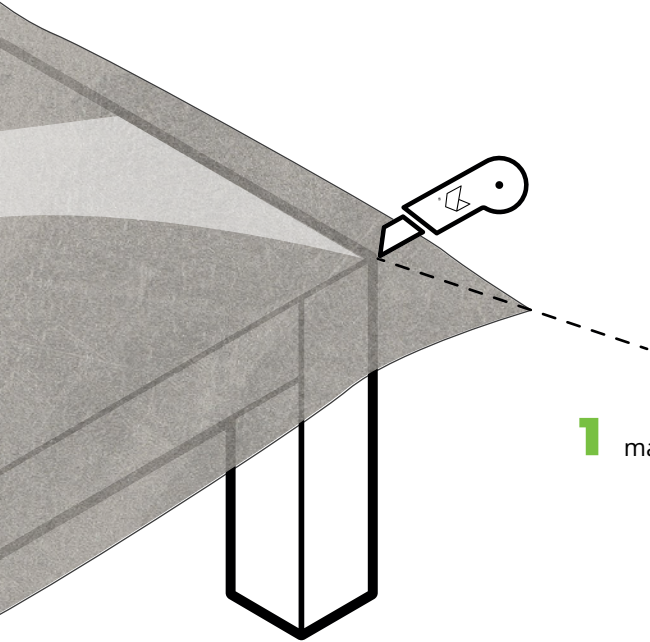
- 2** remove and pull the liner about 10cm, starting the application at the corners



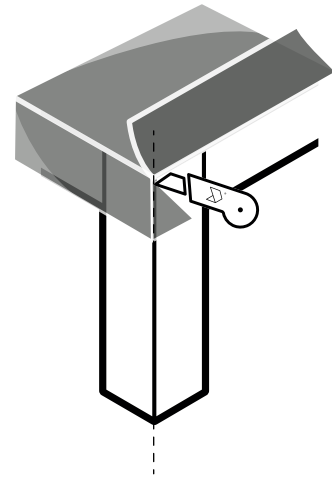
**3** apply the film from the center to the tips with a felt squeegee, forming a 45° angle between both surfaces

**4** gradually **remove the liner** on the horizontal surface, following the instructions in steps 2 and 3

# Corner details

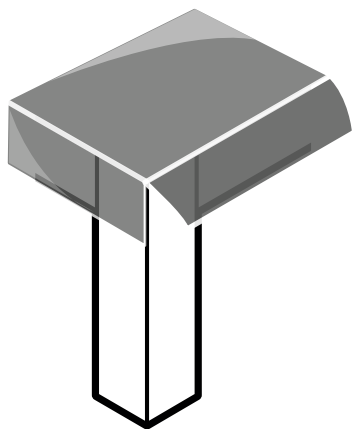


**1** make a **diagonal cut** from the tip

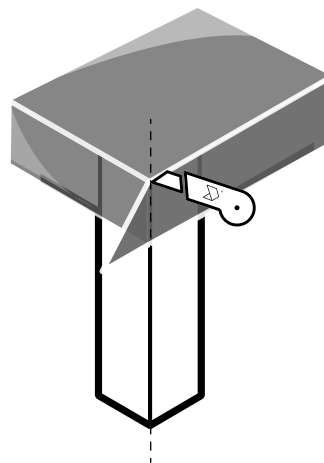


**2** **fold the film** over  
the edge of the corner





**3** cut the excess film, leaving 1 to 2mm (0,04 to 0,08 inches) from the edge, and cover the adjacent edge



**4** apply the film to the second edge and wrap the corner with a slight overlap of the films

**5** if the structure of the furniture allows it, fold 1 to 2cm (0,4 to 0,8 inches) of the film under the horizontal part



# useful tips

## **positioning and symmetry**

The first strip of film should be applied with extra care to ensure that it is in the correct position. When applying the following strips, pay attention to the alignment of the textures (if it helps, make a pre-mark on the liner on each side of the strip).

## **(Un)necessary force**

Be moderate in the force used in order to avoid creases, elongations or tears in the product.

### **materials to avoid**

Do not use plastic squeegees or sharp objects, as they may damage the film.

### **“just painted”**

On walls and furniture that have been previously painted, we advise you to wait three weeks before proceeding with the application, giving time for the curing of the paints.

### **expertise in the details**

Applications on furniture with demanding details should be carried out in a phased manner, starting at the horizontal part and using additional strips of film to wrap the edges.

# **i have already applied, and now what?**

Now, it's time to think about the next project.

The **alldcor 2d** range marks and follows trends in interior decoration, which is why we present new textured films on a regular basis.

**Discover them on our website.**



[www.decal-adhesive.com](http://www.decal-adhesive.com)

